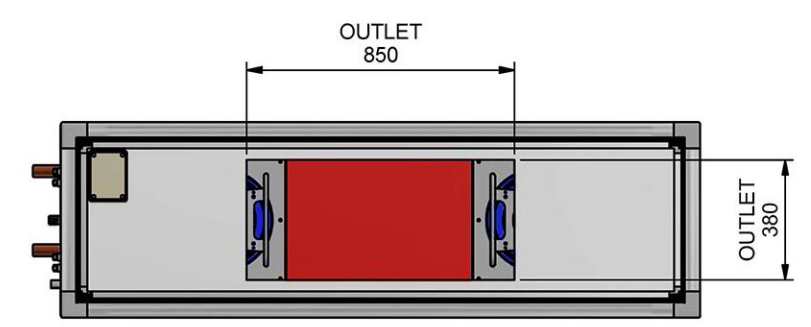
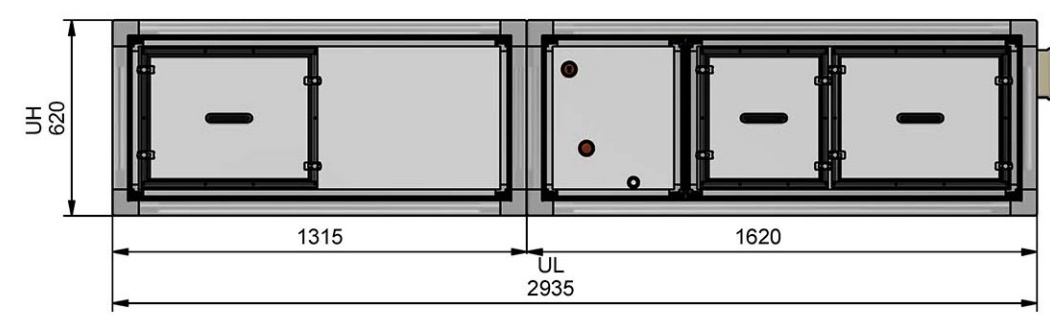
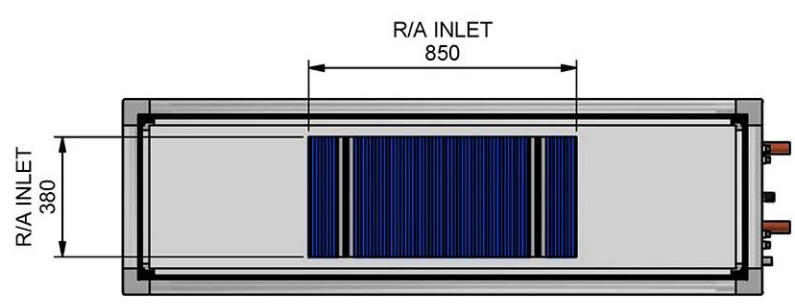
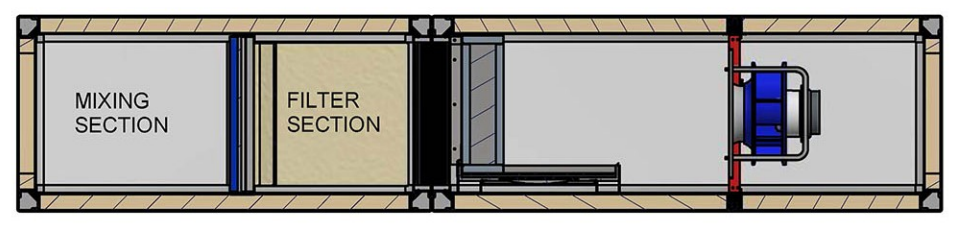




A-A (1:24)



MAX R/A INLET (HORIZONTAL) : 380X1790MM
 MAX O/A INLET (VERTICAL) : 480X1790MM
 MAX S/A (HORIZONTAL) : 380X1520MM
 MAX S/A (VERTICAL) : 480X1805MM

UNLESS OTHERWISE SPECIFIED
 DIMENSIONS ARE IN MILLIMETERS
 BREAK AND DEBUR ALL SHARP EDGES

 3rd ANGLE PROJECTION
 DO NOT SCALE DRAWING

| Rev | By | Date | Description |
|-----|-----|------------|------------------|
| /00 | Toh | 22/03/2017 | Initial Released |

| | | | | | |
|---|---|---|--|---|-------------|
| Fantech Pty Ltd. © A.C.N. 005 434 024 45 NESTOR DRIVE, MEADOWBROOK, QUEENSLAND, AUSTRALIA. 4131 TELEPHONE: (07) 32 999 888 FACSIMILE: (07) 32 999 800 | | | |  | |
| DRAWN: Toh CHKD: Sean APPRD: JT | DATE: 22/3/2017 DATE: -- DATE: -- | General Layout ME2B-L106/G3-FPL, GR28(115667)x2 | | | |
| DRAWING NO: 868-8030-0106 | | | | REV: /00 | SCALE: 1:24 |